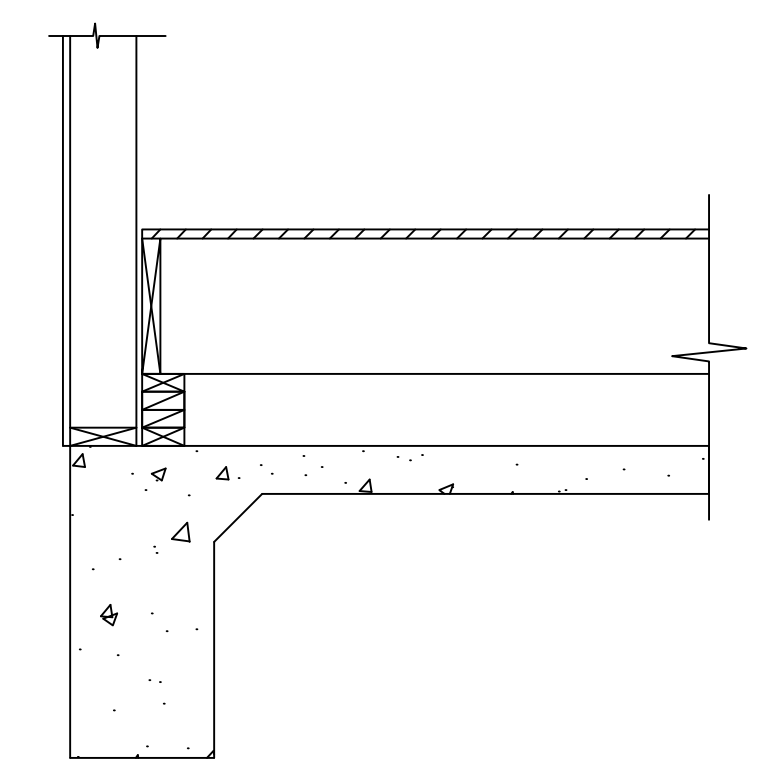
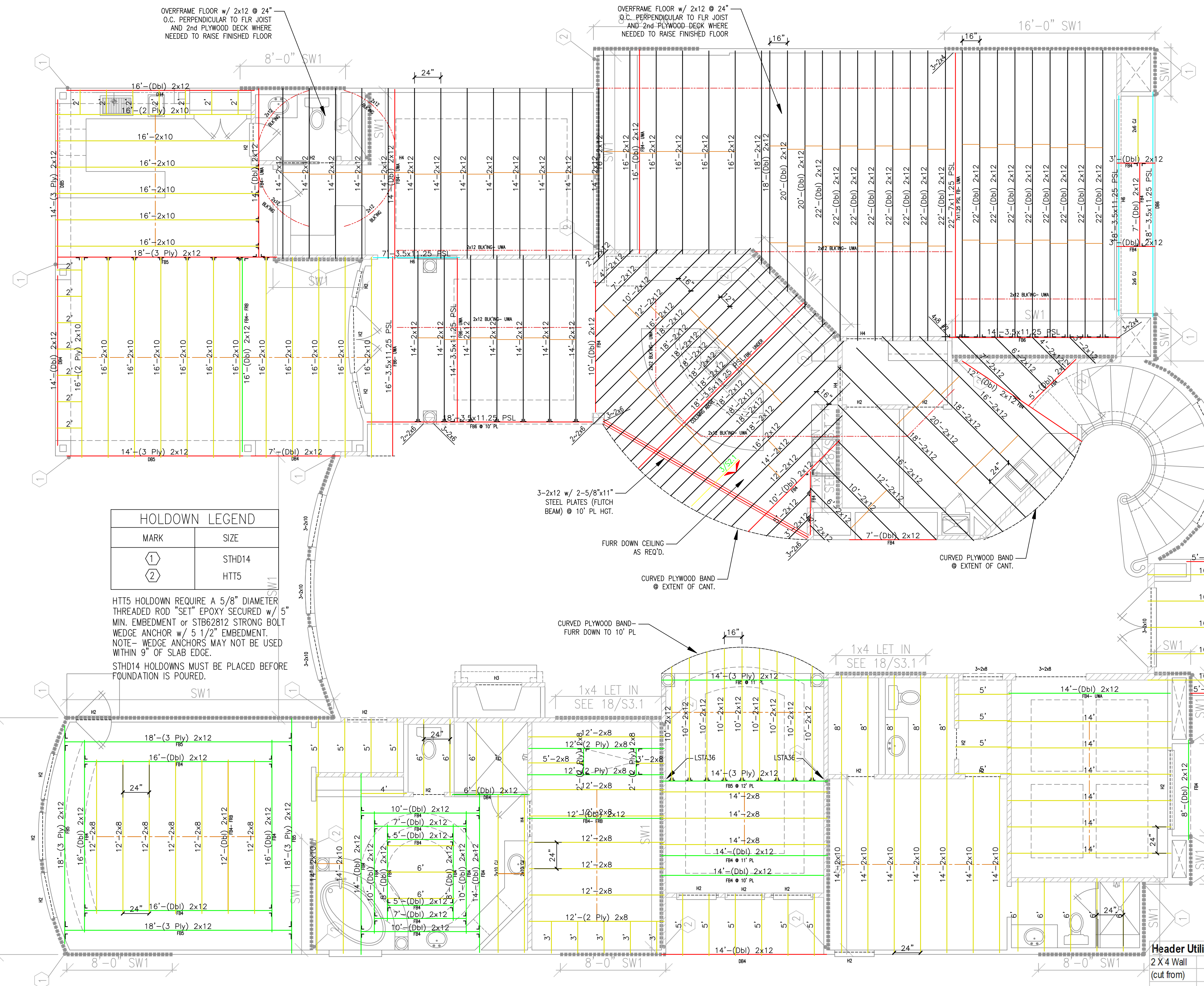
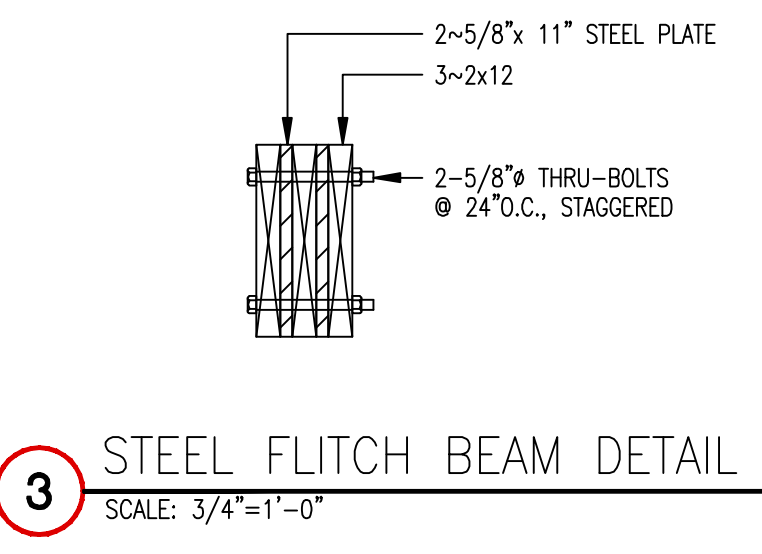
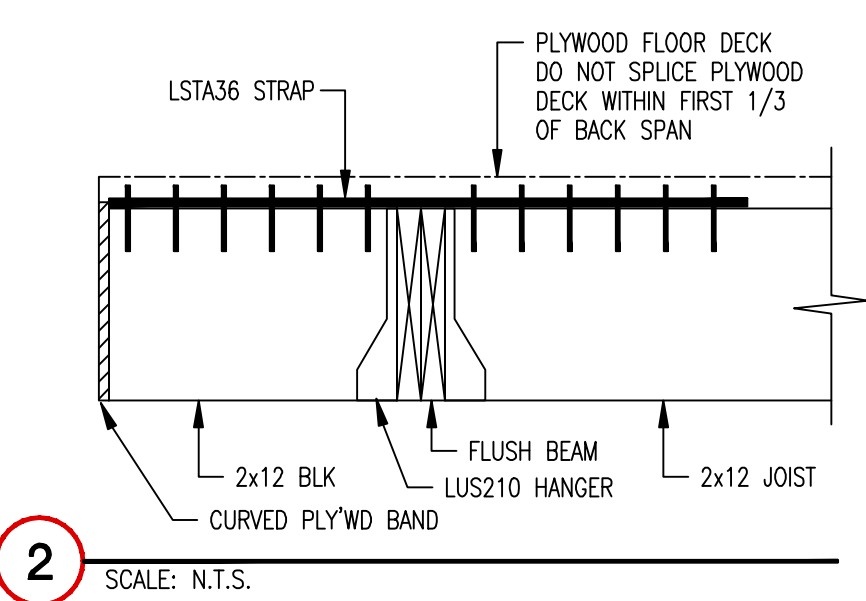


Display Theme	
■	Engineered Header
■	Rafter
■	Beam
■	Floor Joist
■	Roof Bracing Beam
■	Ceiling Joist



Frame: 1	Description	Qty	Unit
1st Walls			
Treated Plate	2 X 4 X 16 #3 SYP Borate	2810	43 Pieces
Treated Plate	2 X 6 X 16 #3 SYP Borate	3	Pieces
Treated Curved Plate	4 X 8 X 23/32 CDX SYP Treated	14	Pieces
Sill Sealer	3.5" Sill Sealer (50)	8	Rolls
Sill Sealer	5.5" Sill Sealer (50)	1	Rolls
Studs	2 X 4-118 5/8 Stud (10)	92	Pieces
Studs	2 X 4-118 5/8 Stud (10)	884	Pieces
Studs	2 X 4-126 5/8 Stud (11)	57	Pieces
Studs	2 X 4-126 5/8 Stud (12)	93	Pieces
Long Length Studs	2 X 4 X 14 #2 SPF S4S	86	Pieces
Studs	2 X 6-118 5/8 Stud (10)	72	Pieces
Studs	2 X 6-126 5/8 Stud (11)	15	Pieces
Long Length Studs	2 X 6 X 14 #2 STD & BTR SPF S4S	19	Pieces
Long Length Studs	2 X 6 X 22 #2 SYP S4S	65	Pieces
Long Length Studs	2 X 6 X 24 #2 SYP S4S	65	Pieces
Plate, Rony Walls, Bracing	2 X 4 RL #3 SPF	5549	Lineal Ft
Plate	2 X 6 RL #3 SYP S4S	901	Lineal Ft
Plate	2 X 8 X 16 #2 SYP S4S	7	Pieces
Curved Plate	4 X 8 X 23/32 CDX SYP PLY	35	Pieces
Headers	2 X 8 X 12 #2 SYP S4S	10	Pieces
Headers	2 X 8 X 12 #2 SYP S4S	4	Pieces
Headers	2 X 8 X 14 #2 SYP S4S	9	Pieces
Headers	2 X 10 X 16 #2 SYP S4S	6	Pieces
Headers	2 X 10 X 16 #2 SYP S4S	2	Pieces
Headers	2 X 12 X 12 #2 SYP S4S	4	Pieces
Headers	2 X 12 X 14 #2 SYP S4S	1	Pieces
Header Filler	4 X 8 X 16 #2 SYP	4	Pieces
Corner Bracing	1 X 4 X 14 #3 SYP	4	Pieces
Post	4 X 8 X 10 #2 SYP Post	1	Piece
Engineered Header	3.5x11.25 PSL	1	Piece
Engineered Header	3.5x11.25 PSL	2	Pieces
1st to 2nd Floor Stairs			
Spiral Risers/Landing	2 X 12 X 16 #2 SYP S4S	9	Pieces
Start Treads/Landing	4 X 8 X 23/32 CDX T&G SYP PLY	4	Pieces
Glue	One Gallon Yellow Glue	1	Box/Et
Curved Header Material	4 X 8 X 16 #2 SYP Plywood	13	Pieces
Temporary Framing	2 X 4 X 12 Utility #3 SPF S4S	23	Pieces
2nd Floor Joists			
Floor Joist Beams / Rim	2 X 12 X 16 #2 SYP S4S	17	Pieces
Floor Joist Beams / Rim	2 X 12 X 12 #2 SYP S4S	56	Pieces
Floor Joist Beams / Rim	2 X 12 X 14 #2 SYP S4S	14	Pieces
Floor Joist Beams / Rim	2 X 12 X 16 #2 SYP S4S	22	Pieces
Floor Joist Beams / Rim	2 X 12 X 18 #2 SYP S4S	5	Pieces
Floor Joist Beams / Rim	2 X 12 X 20 #2 SYP S4S	34	Pieces
Blocking	2 X 12 X 16 #2 SYP S4S	28	Pieces
Steel Plate	5/8" x 11 x 18 Steel Plate	2	Pieces
Bolts with nut and washer	5/8" Thru Bolts with Nut and Washer	18	Pieces
Curved Material	4 X 8 X 16 #2 SYP Plywood	2	Pieces
Engineered Beams	3.5x11.25 PSL	2	Pieces
Engineered Beams	3.5x11.25 PSL	1	Piece
Engineered Beams	3.5x11.25 PSL	2	Pieces
Engineered Beams	7x11.25 PSL	1	Piece
Simpson Hangers	Simpson LSTA36	4	Pieces
Simpson Hangers	(1) 2x12 Joist Hanger (LUS210)	2	Pieces
Simpson Hangers	(1) 2x12 Joist Hanger R (LUS210)	2	Pieces
Simpson Hangers	(1) 2x6 Joist Hanger (LUS25-2)	2	Pieces
Simpson Hangers	(2) 2x12 Joist Hanger HL210-2	30	Pieces
Simpson Hangers	(2) 2x12 Joist Hanger (LUS210-2)	1	Pieces
Simpson Hangers	(2) 2x6 Joist Hanger (LUS25-2)	4	Pieces
Simpson Hangers	(3) 2x12 Joist Hanger HL210-3	4	Pieces
Simpson Hangers	3.5x11.25 HGSJ2	1	Pieces
Simpson Hangers	7 x 11.25 HGSJ2 2x12	1	Pieces
1st Ceiling			
Ceiling Joists	2 X 4 X 8 #2 SYP S4S	9	Pieces
Ceiling Joists	2 X 6 X 10 #2 SYP S4S	13	Pieces
Ceiling Joists	2 X 6 X 12 #2 SYP S4S	12	Pieces
Ceiling Joists	2 X 6 X 14 #2 SYP S4S	9	Pieces
Ceiling Joists/Strongback	2 X 6 X 16 #2 SYP S4S	8	Pieces
Ceiling Joists	2 X 8 X 10 #2 SYP S4S	1	Pieces
Ceiling Joists	2 X 8 X 12 #2 SYP S4S	21	Pieces
Ceiling Joists	2 X 8 X 14 #2 SYP S4S	3	Pieces
Ceiling Joists	2 X 10 X 12 #2 SYP S4S	2	Pieces
Ceiling Joists	2 X 10 X 14 #2 SYP S4S	9	Pieces
Ceiling Joists	2 X 10 X 16 #2 SYP S4S	20	Pieces
Beam & Grom Vault	4 X 8 X 16 #2 SYP T & G YFP	4	Pieces
Fume / Cables	2 X 4 RL #3 SPF	1538	Lineal Ft
Ceiling Beams	2 X 12 X 6 #2 SYP S4S	6	Pieces
Ceiling Beams	2 X 12 X 10 #2 SYP S4S	19	Pieces
Ceiling Beams	2 X 12 X 12 #2 SYP S4S	3	Pieces
Ceiling Beams	2 X 12 X 14 #2 SYP S4S	18	Pieces
Ceiling Beams	2 X 12 X 16 #2 SYP S4S	10	Pieces
Ceiling Beams	2 X 12 X 18 #2 SYP S4S	12	Pieces

HOLDOWN LEGEND	
MARK	SIZE
①	STHD14
②	HTT5

HTT5 HOLDDOWN REQUIRE A 5/8" DIAMETER THREADED ROD "SET" EPOXY SECURED w/ 5" MIN. EMBEDMENT OR STB62812 STRONG BOLT WEDGE ANCHOR w/ 5 1/2" EMBEDMENT. NOTE - WEDGE ANCHORS MAY NOT BE USED WITHIN 9" OF SLAB EDGE. STHD14 HOLDDOWNS MUST BE PLACED BEFORE FOUNDATION IS POURED.

1st Ceiling Framing (N.T.S.)

Header Utilization	2'-0"	2'-6"	3'-0"	3'-6"	4'-0"	5'-0"
2 X 4 Wall (cut from)	14'	14'	10'	12'	10'	16'
2 X 6 Wall (cut from)	14'	14'	10'	12'	10'	16'

Trophy Estimates
281-685-3444

Builder: Sample Builder, Inc.
Address: 123 Tracer Drive
City: Your City, U.S.A.

Please note that this drawing is an opinion of the estimator. Before proceeding with construction of items should always be confirmed by the builder.